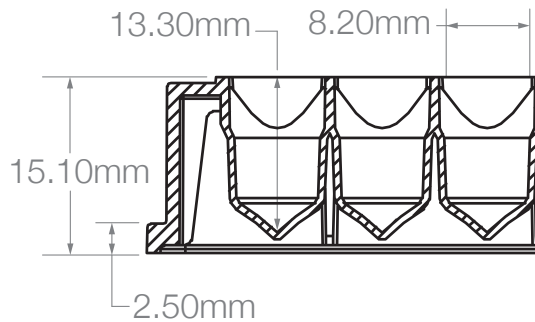


TECHNICAL DATA SHEET

DEEP WELL PLATE



MID-KF05US-9-N

Sterile available upon request

GENERAL SPECIFICATIONS

NUMBER OF WELLS:	96	96
WELL TOP SHAPE:	Square	Square
WELL BOTTOM SHAPE:	Round - V	Round - V
NOTCH LOCATION:	A1	A1
FOOTPRINT:	ANSI/SLAS 1-2004	ANSI/SLAS 1-2004
MATERIAL:	Polypropylene	Polypropylene
COLOR:	Natural	Natural
TEMPERATURE RANGE:	-80°C to 120°C	-80°C to 120°C
CENTIFUGATION (MAX.):	4,000 x g	4,000 x g
AUTOCLAVABLE:	121C at 15 psi, 15 min.	Pre-sterilized
AUTOMATION COMPATIBLE:	Yes	Yes

CRITICAL DIMENSIONS

PLATE HEIGHT:	15.10mm	15.10mm
PLATE BOTTOM (L x W):	127.50mm x 85.35mm	127.50mm x 85.35mm
PLATE TOP (L x W):		
FLANGE HEIGHT:	2.50mm	2.50mm
WELL A1 (X,Y):	14.38mm, 11.24mm	14.38mm, 11.24mm
WELL DEPTH:	13.30mm	13.30mm
WELL DIA. (TOP):	8.20mm x 8.20mm	8.20mm x 8.20mm
WELL DIA. (BOT):		
WELL BOTTOM TO DECK:	1.80mm	1.80mm
OVERALL VOLUME:	350ul	350ul
WORKING VOLUME:	250ul	250ul
VOLUME WITH MAT:		

PACKAGING CONFIGURATIONS

PACKAGING QUANTITY (CS):	50; 5 per Pack	50; 5 per Pack
CASE DIMENSIONS (IN.):	6 x 10.75 x 17.75	6 x 10.75 x 17.75
CASE WEIGHT (LBS.):	4.5	4.5

STORAGE

Keep out of sunlight. Store in a cool dry place. Keep away from sources of ozone or ignition.



COMPATIBLE SEALING MAT OPTIONS

ITEM NUMBER:	DESCRIPTION:
MID-MATS-9-PRT	Silicone 96 well, Square Printed
MID-MATS-9-BULK	Silicone 96 well, Square
MID-SQ-9-PRT	Pre-slit Silicone 96, Square Printed

All plates can be sealed with adhesive or heat seal films.