

SPEC OF AT020T-H2

STP-JX-Tip-AT020T-H2-A1

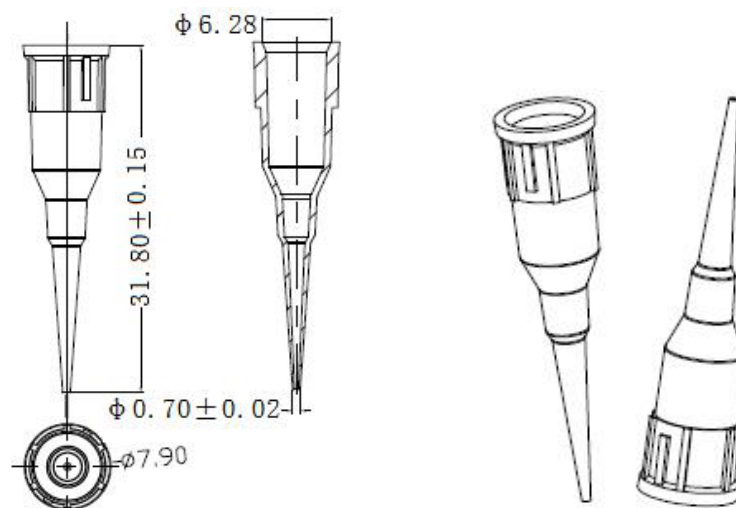
GEB Robotic Tips for Tecan Genesis Freedom®, Freedom Evo®, Miniprep with Liha®.

Product details at-a-glance

GEB Cat#	Max Volume	Tip Color	Low Retention	Sterilized	Filtered (2.5*3.5)mm	Packaging Spec.
AT020T-H2-N	20ul	Natural				2*96 tips/rack, 5 racks/pack, 10 packs/case 9600 tips/case.
AT020T-H2-N-LB	20ul	Natural	Low Retention			
AT020T-H2-NS	20ul	Natural		Sterilized		
AT020T-H2-NS-LB	20ul	Natural	Low Retention	Sterilized		
AF020T-H2-NS	20ul	Natural		Sterilized	Filtered	
AF020T-H2-NS-LB	20ul	Natural	Low Retention	Sterilized	Filtered	
AT020T-H2-X	20ul	Black				2*96 tips/rack, 5 racks/pack, 10 packs/case 9600 tips/case. (Conductive black)
AT020T-H2-X-LB	20ul	Black	Low Retention			
AT020T-H2-XS	20ul	Black		Sterilized		
AT020T-H2-XS-LB	20ul	Black	Low Retention	Sterilized		
AF020T-H2-XS	20ul	Black		Sterilized	Filtered	
AF020T-H2-XS-LB	20ul	Black	Low Retention	Sterilized	Filtered	
Case dimension L*W*H: 465*295*345 mm.			Gross Weight : 10.6 kg			

- ✧ 20µL Liquid Level Sensing Tips
- ✧ 96 Tip/Hanging Tip Rack format
- ✧ Double stack box packaging
- ✧ Polypropylene
- ✧ Certified DNase/RNase free
- ✧ Nonpyrogenic
- ✧ Presterile/Nonsterile
- ✧ Filtered (Filtered With aerosol-resistant filters)/NonFiltered
- ✧ Endotoxin-Safe meets USP/FDA standards
- ✧ Comply With USP 3127 (Heavy Metal Contamination) standards
- ✧ Compatibility: Tecan Genesis Freedom®, Freedom Evo®, Miniprep with Liha® workstations.

Drawing: (No tolerance Diameter tolerance: ±0.03mm , Height tolerance: ±0.25mm)



Prepared by: Anne Oct. 22 , 2020 Approve: WeiMing Yu Oct.22, 2020